

4

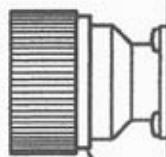
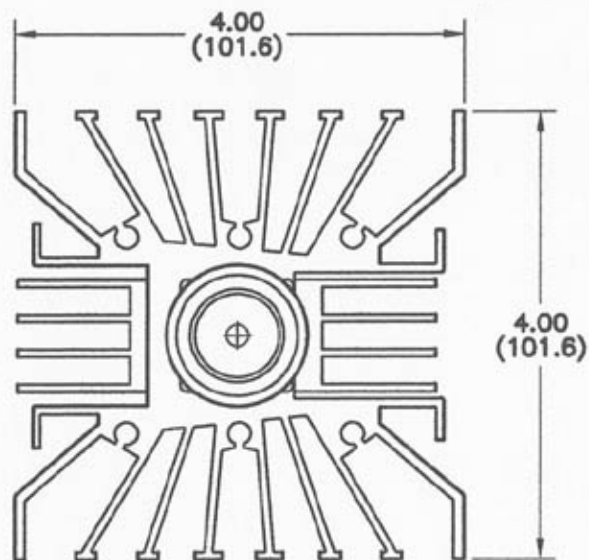
3

2

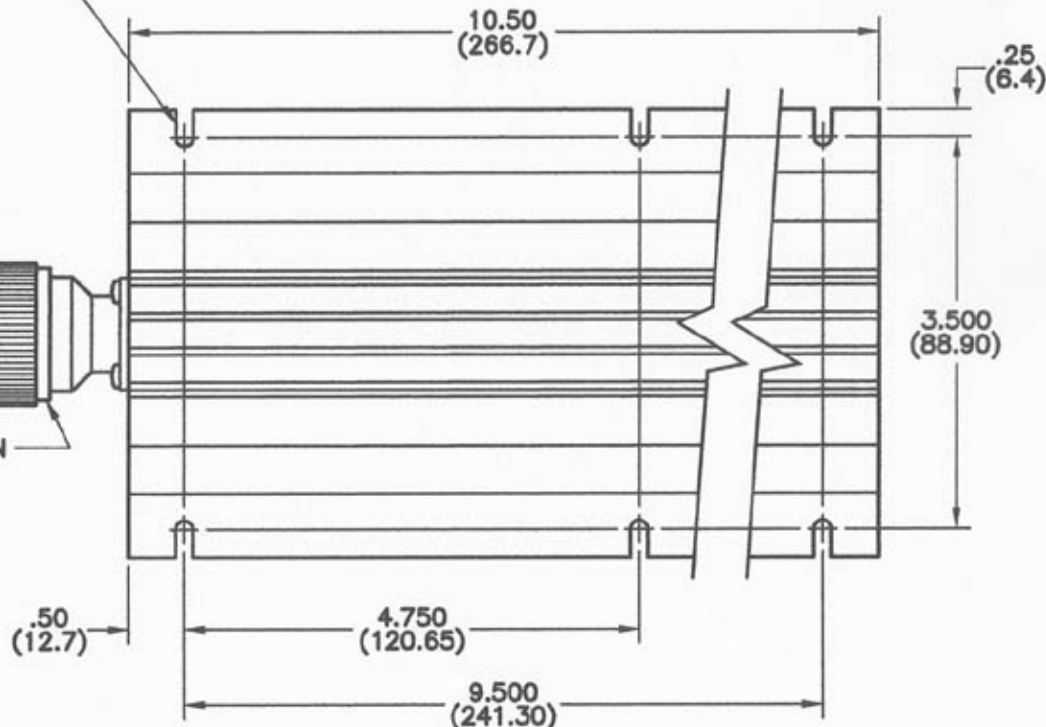
1

REVISIONS				
REV	ZONE	DESCRIPTION	DATE	BY ECO

.156(3.96) WIDE SLOT
6 PLACES, TOP & BOTTOM



7/16 DIN
MALE



SPECIFICATIONS

FREQUENCY RANGE - DC TO 6.0 GHz

IMPEDANCE - 50 OHMS

VSWR (DC - 2.0 GHz) - 1.20:1

(2.0 - 4.0 GHz) - 1.35:1

(4.0 - 6.0 GHz) - 1.40:1

INPUT POWER (AVG.) - 250 WATTS

(PEAK) - 2000 WATTS

OPERATING TEMPERATURE - -55°C TO +125°C

CONNECTOR TYPES - TYPE N, TNC, 7/16 DIN, PLUG OR JACK
(7/16 DIN PLUG SHOWN)

WEIGHT - ~ 6.5 lbs

DIMENSIONS: INCHES
(MILLIMETERS)

TOLERANCES

DECIMALS ± .05 FRACTION ±

ANGLES ± .010 ANG ±

MATERIAL

FINISH

CHK

APPO

APPO

THE INFORMATION CONTAINED IN THIS DOCUMENT IS THE PROPERTY OF MICROWAVE DEVICES, INC. AND IS PROPRIETARY. IT IS NOT TO BE COPIED OR USED FOR ANY PURPOSE OTHER THAN AS INSTRUCTED IN WRITING, BY MICROWAVE DEVICES, INC.

SIGNATURES DATE

DR G.V. Cothran 12-2-05

APPO

APPO

MICROWAVE DEVICES
OF and Microwave Components

OUTLINE, TERMINATION,
MODEL 6250-7-6

CAGE SIZE DRAWING NO.
60674 B 900768-2

DRAWING SCALE 1:1 SHEET 1 OF 1

CONTACT: MICROWAVE DEVICES - 1150 N. GRAHAM RD.
(317) 738-8833 FRANKLIN, IN 46131

DIMENSIONS ARE IN INCHES UNLESS OTHERWISE SPECIFIED.

4

3

2

1